

HBS1-AGQ SERIES mounting hole : $\Phi 19$

Order Code - Configurazione di un modello

Configura un pulsante o un interruttore facendo uso della seguente simbologia :

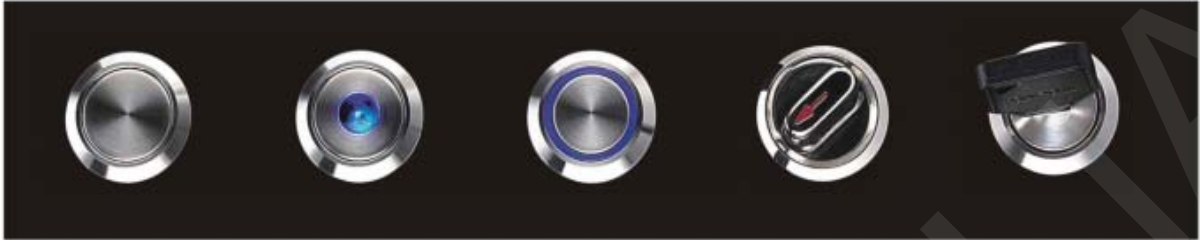
Fronte Front Shape	Contatti Contact configuration	Led Lamp Type	Contatti Oper. Type	Colore Led color	Volt Led Led voltage	Materiale Material
F : flat round H : H round C : concave G : H concave	11 : 1NO 1NC 22 : 2NO 2NC Action of selector and Key - lock button Azione del selettore 1 Keep 3 Full- momentary	D : dot led E : ring led Operation position of selector and key - lock button : Posizione del selettore 2 Position 2 3 Position 3	Z : latching X : selector Y : key-lock M : buzzer SM : flash buz. No letter : Push button Pulsante	R Red G Green Y Yellow O Orange B Blue W White	6 12 24 36 110 220	N = Nickel plated brass S = Stainless S. A = Zn-Al Alloy

Description - Descrizione	Figura	
Diagramm each single contact Schema elettrico (singolo contatto)		
Symbol Simbolo		
Nota : Diagramm is referred for one single contact Riferito ad ogni singolo contatto	Can be configured two sets of switches: C1 and C2 (C1 = 11 1NCNO C2 = 22 2NONC) . +/- pins are led terminals Possono essere configurati due serie di contatti C1 singolo e C2 doppio : (C1 = 11 1NONC C2 = 22 2NONC) I terminali +/- appartengono al diodo led.	

LampType	LED lamp(AC/DC)			Lamp Circuit Diagram
LEDColor				
Life	40000hours(Reference)			
RatedVoltage	AC/DC6V	AC/DC12V	AC/DC110V	
	AC/DC24V	AC/DC36V	AC/DC220V	
RatedCurrent	About15mA		About3mA	
Dropping Way	Innerresistance		Outerresistance when using6Vlamp	

Using AC/DC led lamp. Terminals have no difference of anode and cathode.
 Non c'è differenza di polarità ai terminali del led. Collegando una resistenza esterna si può adattare il funzionamento del led ad una tensione superiore : ad esempio il led interno è di 5V. Con una resistenza esterna da 1K il led può funzionare a 12V.

HBS1-AGQ SERIES mounting hole : Φ 19



Installation : front panel - Installazione : pannello frontale

Esempio d' ordine

Pulsante 1 contatto con segnalazione led Ring colore verde, tensione led 12V finitura in acciaio inox **pulsante** tipo FLAT :

HBS1-AGQ **F11EG12S**

Stessa configurazione ma con 2 contatti :

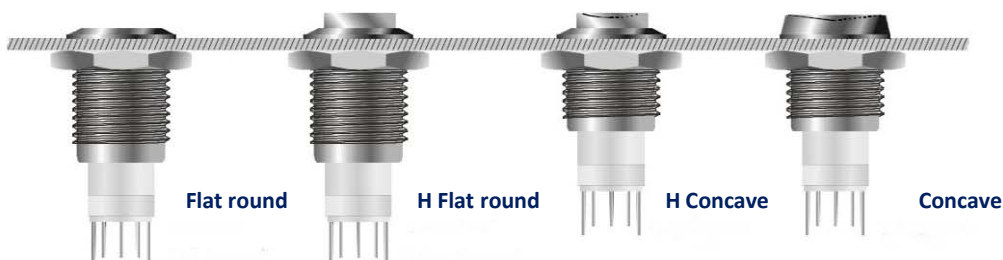
HBS1-AGQ **F22EG12S**

Configurazione con DOT led e **pulsante** High round :

HBS1-AGQ **H11DG12S**

Configurazione con 2 contatti **interruttore** led Ring colore blu, tensione led 12V finitura acciaio inox tipo FLAT

HBS1-AGQ **F22ZEB12S**



HBS1-AGQ SERIES mounting hole : Φ 19

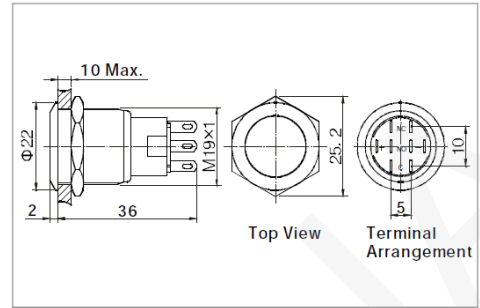


HBS1AGQ ★

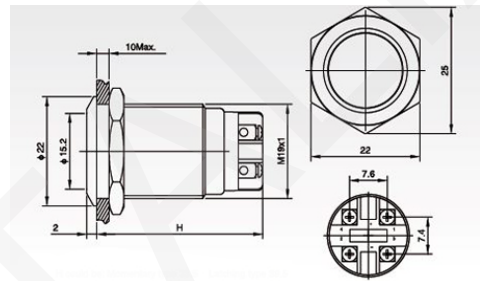


HBS1AGQ-EM ▲

- Mounting hole size : 19mm
- Switch rating : 5A 250Vac1
- Contact configuration : 1 x NONC 2 x NONC
- Operation type : Momentary or Latching
- The crust material : Stainless steel
- Protection degree : IP67 IK09



- Mounting hole size : 19mm
- Rated voltage: DC12V or DC24V
- Pronunciation type : Buzzing or Flash buzzer
- Sound intensity : 80dB (1mt)
- The crust material : Stainless steel
- Protection degree : IP50 IK04



	HBS1AGQ	HBS1AGQ-EM
Terminal Type	Pin Terminal (2.8 x 0.5mm)	Pin Terminal (2.8 x 0.5mm)
Switch type	C	
Switch specifications	Ith: 5A / Ui: 250VAC	
Contact Resistance (mΩ)	≤ 50	
Insulation Resistance (MΩ)	≥ 1000	
Dielectric Strength (VAC)	2000	2000
Operating Temperature	-20°C ~ +55°C	-20°C ~ +55°C
Mechanical Life (times)	> 1.000.000	
Electrical Life (times)	> 50.000	
Panel Thickness (mm)	1 ~ 10	1 ~ 10
Torque (Nm)	5 ~ 14	5 ~ 14
Operating Pressure (N)	about 4	
Operating Stroke (mm)	about 2.5	
Protection Degree	IP67, IK09	IP50, IK04
Contact	Silver Alloy	
Button	Stainless Steel	
Case	Stainless Steel	Stainless Steel
Base	PBT	PBT
Type		Buzzing/Flash Buzzer
Rated Voltage (V)		DC12V/DC24V
Color		
Sound intensity dB		≥ 80dB (1m)

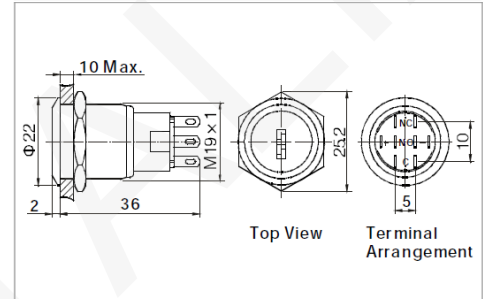
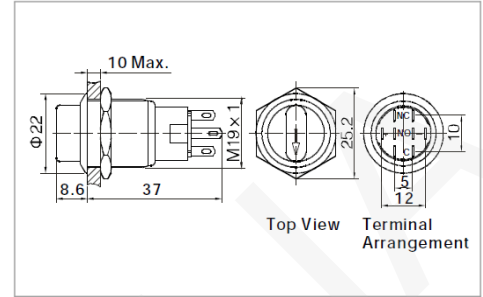
Material	
Lamp Parameter	

HBS1-AGQ SERIES mounting hole : $\Phi 19$



- Mounting hole size : 19mm
- Switch rating : 5A 250Vac1
- Contact configuration : 1 x NONC 2 x NONC
- Operation type : 2 Position – 3 Position
- Operation type : Keep Momentary
- The crust material : Stainless steel
- Protection degree : IP65
- Illuminated type : Arrow indicate

- Mounting hole size : 19mm
- Switch rating : 5A 250Vac1
- Contact configuration : 1 x NONC 2 x NONC
- Operation type : Position 2 Keep – Momentary
Position 3 keep
- The crust material : Stainless steel



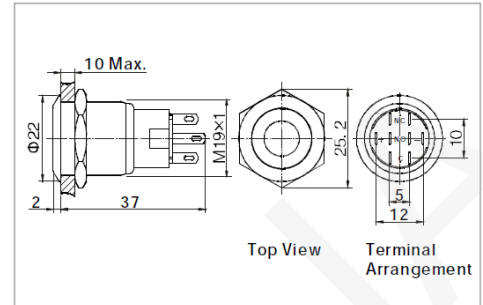
	HBS1AGQ Knob	HBS1AGQ Key-lock	
Terminal Type	Pin Terminal (2.8 x 0.5mm)	Pin Terminal (2.8 x 0.5mm)	
Switch type	Structure III	Structure III	
Switch specifications	Ith: 5A / Ui: 250VAC	Ith: 5A / Ui: 250VAC	
Contact Resistance (mΩ)	≤ 50	≤ 50	
Insulation Resistance (MΩ)	≥ 1000	≥ 1000	
Dielectric Strength (VAC)	2000	2000	
Operating Temperature	-20°C ~ +55°C	-20°C ~ +55°C	
Mechanical Life (times)	> 500,000	> 500,000	
Electrical Life (times)	> 50.000	> 50.000	
Panel Thickness (mm)	1 ~ 10	1 ~ 10	
Torque (Nm)	5 ~ 14	5 ~ 14	
Operating Pressure (N)			
Operating Stroke (mm)			
Protection Degree	IP65		
Contact	Silver Cadmium Oxide	Silve Cadmium Oxide	Material
Button	Stainless Steel	Stainless Steel	
Case	Stainless Steel	Stainless Steel	
Base	PBT	PBT	
Type	Arrow	Ring	
Rated Voltage (Vac-dc)	1,8/2,8/6/12/24/110/220	1,8/2,8/6/12/24/110/220	Lamp Parameter
Color	R G Y O B W		
Life	50000 hours	50000 hours	

Metal Push Button

HBS1-AGQ SERIES mounting hole : Φ 19



- Mounting hole size : 19mm
- Switch rating : 5A 250Vac1
- Contact configuration : 1 x NONC 2 x NONC
- Operation type : Momentary or Latching
- The crust material : Stainless steel
- Illuminated type DOT
- Protection degree : IP67 IK09
- Flat round



	HBS1AGQ – 11HE Ring Led	
Terminal Type	Pin Terminal (2.8 x 0.5mm)	
Switch type	C	
Switch specifications	Ith: 5A / Ui: 250VAC	
Contact Resistance (m Ω)	\leq 50	
Insulation Resistance (M Ω)	\geq 1000	
Dielectric Strength (VAC)	2000	
Operating Temperature	-20°C ~ +55°C	
Mechanical Life (times)	> 1.000.000	
Electrical Life (times)	> 50.000	
Panel Thickness (mm)	1 ~ 10	
Torque (Nm)	5 ~ 14	
Operating Pressure (N)	about 4	
Operating Stroke (mm)	about 2.5	
Protection Degree	IP67, IK09	
Contact	Silver Alloy	Material
Button	Stainless Steel	
Case	Stainless Steel	
Base	PBT	
Type	DOT illuminated LED	
Rated Voltage (Vac-dc)	6/12/24/110/220	Lamp Parameter
Color	R G Y O B W	
Life	50000 hours	

HBS1GQ - 11 SERIES mounting hole : Φ 19

Order Code - Configurazione di un modello

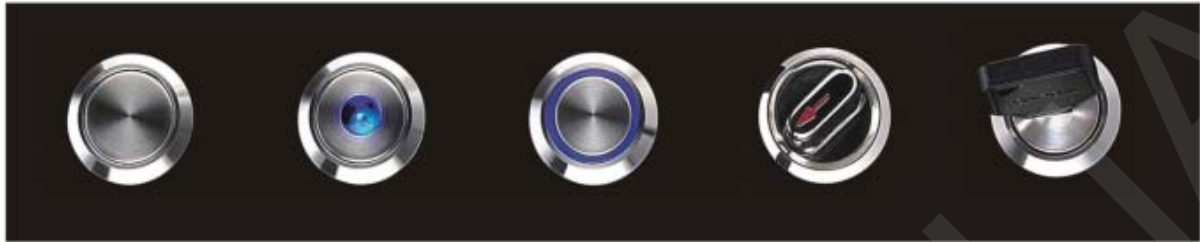
Configura un pulsante o un interruttore facendo uso della seguente simbologia :

Fronte Front Shape	Contatti Contact configuration	Led Lamp Type	Contatti Oper. Type	Colore Led color	Volt Led Led voltage	Materiale Material
F : flat round H : H round C : concave G : H concave B : domed	11 : 1NO 1NC 22 : 2NO 2NC Action of selector and Key - lock button Azione del selettore 1 Keep 3 Full- momentary	D : dot led E : ring led Operation position of selector and key - lock button : Posizione del selettore 2 Position 2 3 Position 3	Z : latching X : selector Y : key-lock M : buzzer SM : flash buz. No letter : Push button Pulsante	R Red G Green Y Yellow O Orange B Blue W White	6 12 24 36 110 220	N = Nickel plated brass S = Stainless S. A = Zn-Al Alloy

Description - Descrizione	Figura	
Diagramm each single contact Disposizione dei contatti		 1, 2 for NC 3, 4 for NO +, - for LED LED PIN LED PIN
Symbol Simbolo		
Nota : All terminals are separated contacts Tutti i contatti sono tra loro indipendenti	1,2 is normally close contact NC 3,4 is normally open contact NO +/- pin led terminal 1,2 contatto NC 3,4 contatto NA I terminali +/- appartengono al diodo led.	

LampType	LED lamp(AC/DC)			Lamp Circuit Diagram	 Using AC/DC led lamp. Terminals have no difference of anode and cathode. Non c'è differenza di polarità ai terminali del led. Collegando una resistenza esterna si può adattare il funzionamento del led ad una tensione superiore : ad esempio il led interno è di 5V. Con una resistenza esterna da 1K il led può funzionare a 12V.
LEDColor					
Life	40000hours(Reference)				
RatedVoltage	AC/DC6V	AC/DC12V	AC/DC110V		
	AC/DC24V	AC/DC36V	AC/DC220V		
RatedCurrent	About15mA		About3mA		
Dropping Way	Innerresistance		Outerresistance when using6Vlamp		

HBS1GQ - 11 SERIES mounting hole : Φ 19



Installation : front panel - Installazione : pannello frontale

Esempio d' ordine

Pulsante 1 contatto con segnalazione led Ring colore verde, tensione led 12V :

HBS1GQ**11LEG12**

Configurazione con DOT led colore blu, **pulsante** :

HBS1GQ**11LDB12**

Interruttore nessuna segnalazione, terminali PIN

HBS1GQ**11Z**



Pin terminal

Screw terminal

Key lock

Metal Push Button

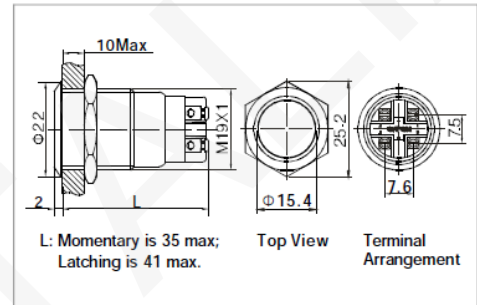
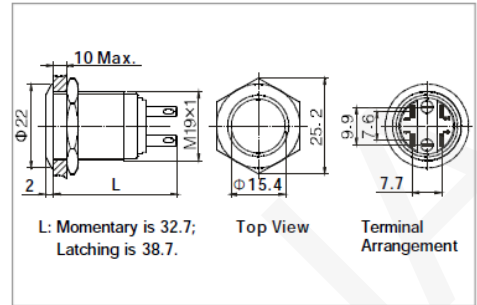
HBS1GQ -11 SERIES mounting hole : Φ 19



- Mounting hole size : 19mm
- Switch rating : 5A 250Vac1
- Contact configuration : 1 x NONC 2
- Operation type : Momentary or Latching
- The crust material : Stainless steel
- Protection degree : IP65 IK09
- Flat round button



- Mounting hole size : 19mm
- Switch rating : 5A 250Vac1
- Contact configuration : 1 x NONC 2
- Operation type : Momentary or Latching
- The crust material : Stainless steel
- Protection degree : IP65 IK09
- Flat round button



	HBS1GQ – 11	HBS1GQ – 11L
Terminal Type	Pin Terminal (2.8 x 0.5mm)	Screw terminal
Switch type	ZA	ZA
Switch specifications	Ith: 5A / Ui: 250VAC	Ith: 5A / Ui: 250VAC
Contact Resistance (m Ω)	\leq 50	\leq 50
Insulation Resistance (M Ω)	\geq 1000	\geq 1000
Dielectric Strength (VAC)	2000	2000
Operating Temperature	-20°C ~ +55°C	-20°C ~ +55°C
Mechanical Life (times)	> 1.000.000	> 1.000.000
Electrical Life (times)	> 50.000	> 50.000
Panel Thickness (mm)	1 ~ 10	1 ~ 10
Torque (Nm)	5 ~ 14	5 ~ 14
Operating Pressure (N)	about 4	about 4
Operating Stroke (mm)	about 2.5	about 2.5
Protection Degree	IP67, IK09 (IP67 optional)	IP67, IK09 (IP67 optional)
Contact	Silver Alloy	Silver Alloy
Button	Stainless Steel	Stainless Steel
Case	Stainless Steel	Stainless Steel
Base	PC	PA

Material	
Lamp Parameter	

Metal Push Button

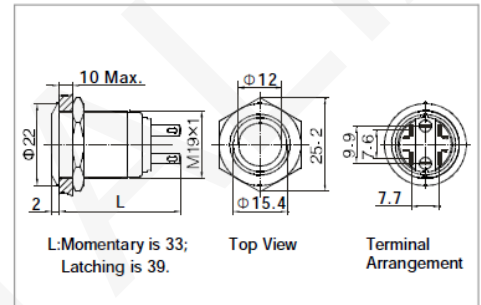
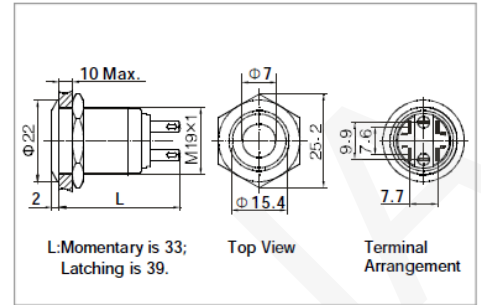
HBS1GQ -11 SERIES mounting hole : Φ 19



- Mounting hole size : 19mm
- Switch rating : 5A 250Vac1
- Contact configuration : 1 x NONC
- Operation type : Momentary
- The crust material : Stainless steel
- Illuminated type DOT
- Protection degree : IP65 IK09
- Flat round



- Mounting hole size : 19mm
- Switch rating : 5A 250Vac1
- Contact configuration : 1 x NONC 2 x NONC
- Operation type : Momentary or Latching
- The crust material : Stainless steel
- Illuminated type Ring
- Protection degree : IP67 IK09
- Flat round



	HBSGQ - 11D Dot Led	HBSGQ - 11E Ring Led	
Terminal Type	Pin Terminal (2.8 x 0.5mm)	Pin Terminal (2.8 x 0.5mm)	
Switch type	ZA	ZA	
Switch specifications	Ith: 5A / Ui: 250VAC	Ith: 5A / Ui: 250VAC	
Contact Resistance (m Ω)	\leq 50	\leq 50	
Insulation Resistance (M Ω)	\geq 1000	\geq 1000	
Dielectric Strength (VAC)	2000	2000	
Operating Temperature	-20°C ~ +55°C	-20°C ~ +55°C	
Mechanical Life (times)	> 1.000.000	> 1.000.000	
Electrical Life (times)	> 50.000	> 50.000	
Panel Thickness (mm)	1 ~ 10	1 ~ 10	
Torque (Nm)	5 ~ 14	5 ~ 14	
Operating Pressure (N)	about 4	about 4	
Operating Stroke (mm)	about 2.5	about 2.5	
Protection Degree	IP65, IK09 (IP67 optional)	IP65, IK09 (IP67 optional)	
Contact	Silver Alloy	Silver Alloy	Material
Button	Stainless Steel	Stainless Steel	
Case	Stainless Steel	Stainless Steel	
Base	PC	PC	
Type	DOT illuminated LED	Ring illuminated LED	Lamp Parameter
Rated Voltage (Vac-dc)	6/12/24/110/220	6/12/24/110/220	
Color	R G Y O B W	R G Y O B W	
Life	50000 hours	50000 hours	

HBS1GQ -11 SERIES mounting hole : Φ 19



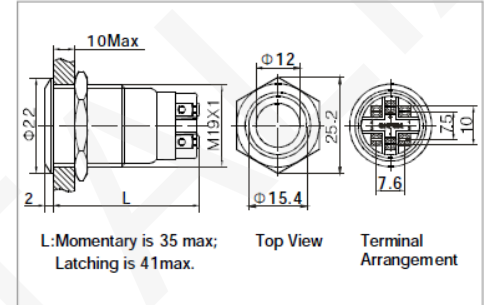
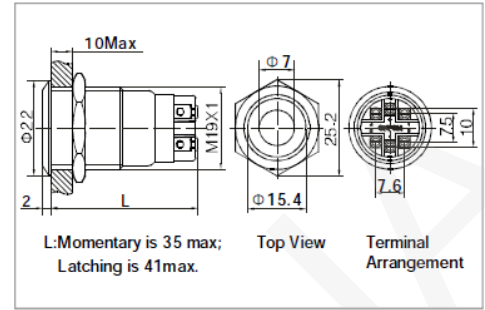
HBS1GQ11 D L ▲ ▲



HBS1GQ11 E L ▲ ▲

- Mounting hole size : 19mm
- Switch rating : 5A 250Vac1
- Contact configuration : 1 x NONC
- Operation type : Momentary or Latching
- The crust material : Stainless steel
- Illuminated type DOT
- Protection degree : IP65 IK09
- Flat round button

- Mounting hole size : 19mm
- Switch rating : 5A 250Vac1
- Contact configuration : 1 x NONC
- Operation type : Momentary or Latching
- The crust material : Stainless steel
- Illuminated type Ring
- Protection degree : IP65 IK09
- Flat round button



	HBS1AGQ - 11DL Dot Led	HBS1AGQ - 11EL Ring Led	
Terminal Type	Screw terminal	Screw terminal	
Switch type	ZA	ZA	
Switch specifications	Ith: 5A / Ui: 250VAC	Ith: 5A / Ui: 250VAC	
Contact Resistance (m Ω)	≤ 50	≤ 50	
Insulation Resistance (M Ω)	≥ 1000	≥ 1000	
Dielectric Strength (VAC)	2000	2000	
Operating Temperature	-20°C ~ +55°C	-20°C ~ +55°C	
Mechanical Life (times)	> 1.000.000	> 1.000.000	
Electrical Life (times)	> 50.000	> 50.000	
Panel Thickness (mm)	1 ~ 10	1 ~ 10	
Torque (Nm)	5 ~ 14	5 ~ 14	
Operating Pressure (N)	about 4	about 4	
Operating Stroke (mm)	about 2.5	about 2.5	
Protection Degree	IP65, IK09 (IP67 optional)	IP65, IK09 (IP67 optional)	
Contact	Silver Alloy	Silver Alloy	Material
Button	Stainless Steel	Stainless Steel	
Case	Stainless Steel	Stainless Steel	
Base	PA	PA	
Type	DOT illuminated LED	Ring illuminated LED	
Rated Voltage (Vac-dc)	6/12/24/110/220	6/12/24/110/220	Lamp Parameter
Color	R G Y O B W	R G Y O B W	
Life	50000 hours	50000 hours	